

KING SLIDE®

3M52

Premium Quality, Full Extension Ball Bearing Slide with Silent Soft-Closing



Silent Soft-Closing Side Mount Ball Bearing Slide



**The King 3M52 Slide
allows you to effortlessly and
elegantly operate drawers.**

- Durable damping system with fast response capability
- Enhanced silent soft-closing feature with light opening force
- Ultra smooth gliding motion with high rigidity and stability design
- 50,000 life cycles guaranteed under proper installation and normal usage

Applications

- Medical Equipment
- Work Stations
- Office Furniture
- Industrial
- Kitchen Furniture
- Home Cabinets
- Box Drawers

Visit YouTube for a demonstration.
<http://youtu.be/rfTiMIOL3Cg>

To order please contact
your local distributor.

Technical Support and
Sales information contact:
Bob Payanis
COMTRAD
National Sales Manager
954-415-7146 or
bpayanis@comtradsourcing.com



Full Extension Side Mount Ball Bearing Slide with Silent Soft-Closing

Specifications

Length: 12" to 24"
(300 to 600 mm)

Height: 45.6mm (1.80")

Side Space: 12.7mm (+0.5mm-0mm)

Travel: Full Extension

Mount: Side Mount

Load: 34 kg (75 lb)/pair (max)

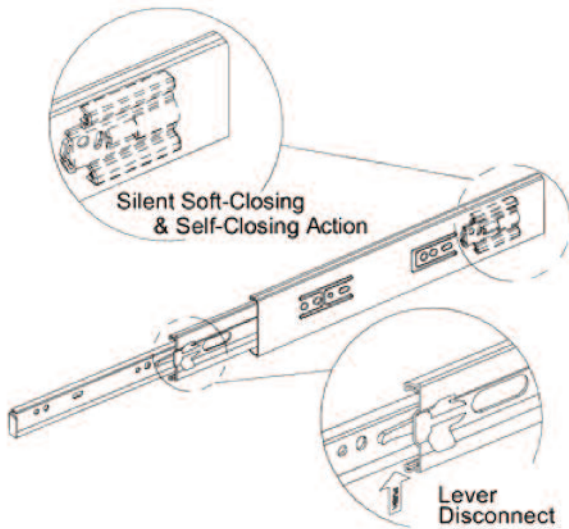
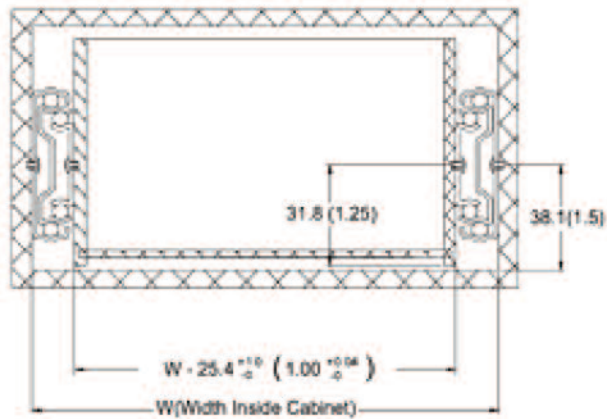
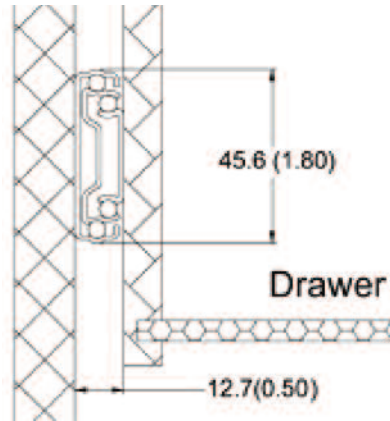
Disconnect: Lever Disconnect

Finish: Clear Zinc

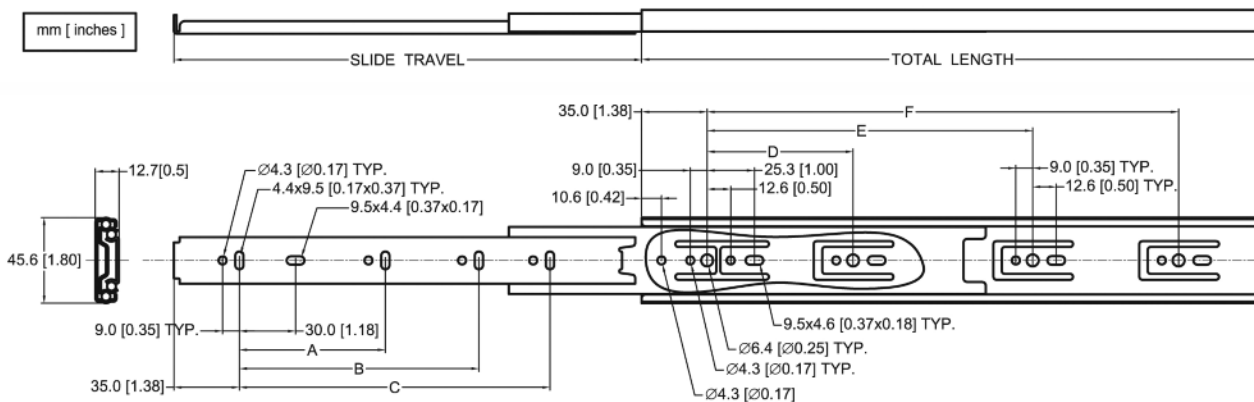
Material: Cold Rolled Steel

Features: Silent Soft-Closing

Unit Packed: 10 pairs/carton



Installation Specification



Part No.	Total Length	Slide Travel	Loading Capacity	Holes Position					
				A	B	C	D	E	F
280-970	302 (11.89)	285 (11.22)	18 (40)	96 (3.78)	—	—	96 (3.78)	—	—
280-971	352 (13.86)	345 (13.58)	25 (55)	128 (5.04)	224 (8.82)	—	128 (5.04)	—	—
280-972	402 (15.83)	400 (15.75)	29 (65)	128 (5.04)	256 (10.08)	—	128 (5.04)	192 (7.56)	—
280-973	452 (17.80)	450 (17.72)	34 (75)	128 (5.04)	320 (12.60)	—	128 (5.04)	256 (10.08)	—
280-974	502 (19.76)	500 (19.69)	34 (75)	128 (5.04)	224 (8.82)	352 (13.86)	128 (5.04)	256 (10.08)	—
280-975	552 (21.73)	550 (21.65)	32 (70)	128 (5.04)	256 (10.08)	384 (15.12)	128 (5.04)	224 (8.82)	320 (12.60)
280-976	602 (23.70)	600 (23.62)	32 (70)	128 (5.04)	288 (11.34)	416 (16.38)	128 (5.04)	224 (8.82)	352 (13.86)